

Features

- ◆ High linearity Direct Modulation DFB Laser
- ◆ High output power
- ◆ Emission wavelength 1310 nm
- ◆ Built-in Isolator, TEC, Thermistor and Monitor PD
- ◆ Hermetically sealed 14 Pin Butterfly Package Module
- ◆ Singlemode fiber pigtail
- ◆ PAL and NTSC system loading available
- ◆ RoHs compliant



Applications

- ◆ Long reach analog transmission systems
- ◆ CATV forward path
- ◆ Radio on fiber
- ◆ Repeater systems

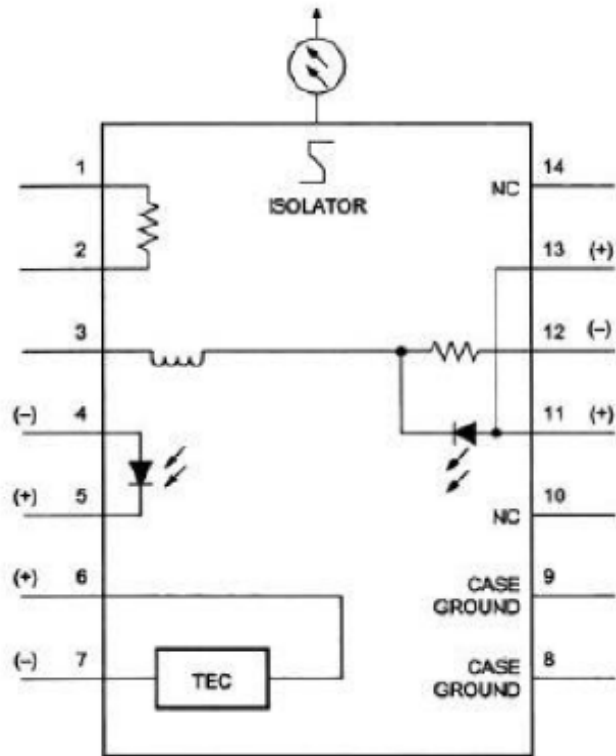
Absolute Maximum Ratings

Parameter	Symbol	Condition	Ratings		Unit
			Min.	Max.	
Storage Temperature	Tstg	-	-40	+70	°C
Operating Temperature	Top	-	-20	+65	°C
LD Forward Current	If	CW	-	150	mA
LD Reverse Voltage	Vr	-	-	1	V
MPD Forward Current	I _{MPD}	-	-	10	mA
MPD Reverse Voltage	V _{MPDR}	-	-	10	V
TEC Voltage	Vc	-	-2.5	+2.5	V
TEC Current	Ic	-	-2	+2	A
Thermistor Temperature	Tth	ATC Operation	-20	+65	°C
Lead Soldering Time	Tsold	260°C	-	10	Sec
Environmental Operating Humidity	Xop	Top<30°C	-	95	%
Environmental Storage Humidity	Xst	Top<30°C	-	95	%
ESD	-	HBM: R=1500 ohm, C=100 pF	-500	+500	V
Fiber yield strength	-	-	-	1	Kgf
Fiber bend radius	-	-	-	30	mm

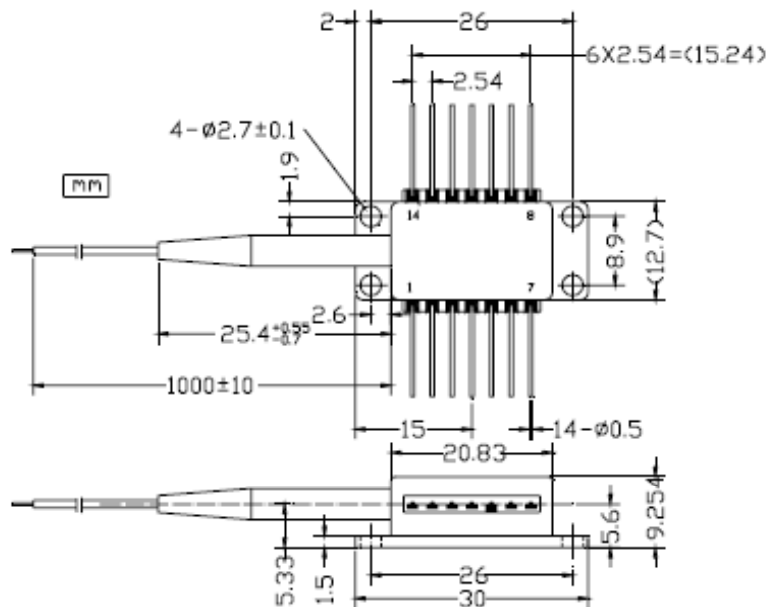
Electrical/Optical Characteristics (Tc=25°C, unless otherwise noted)

Parameter	Symbol	Condition	Limits			Unit
			Min.	Typ.	Max.	
Threshold Current	I _{th}	CW	-	10	20	mA
Operating Current	I _{op}	CW	-	55	80	mA
Operating Voltage	V _{op}	CW, I _f =I _{op}	-	1.3	1.8	V
Output Power from Fiber End	P _f	CW, I _f =I _{op}	4		20	mW
Central Wavelength	λ _c	CW, I _f =I _{op}	1290	1310	1330	nm
Side Mode Suppression Ratio	SMSR	CW, I _f =I _{op}	30	35	-	dB
Cut-off Frequency	F _c (-3dB)	I _f =I _{op}	2	-	-	GHz
Carrier to Noise Ratio	CNR	I _f =I _{op} , Optical Modulation, Index=3.2%/channel (minimum),	50	-	-	dB
Composite Second order	CSO	78 unmodulated carries (55.25 to 547.25MHz), 10km singlemode fiber, 0dBm received power, Receiver responsivity=0.86A/W	-	-	-55	dBc
Composite Triple Beat	CTB		-	-	-65	dBc
RIN	N _r	CW, I _f =I _{op} , f=45~600MHz, Optical reflection=-40dB (no long-haul fiber is used in the measurement.)	-	-	-155	dB/Hz
Tracking Error	E _r	T _c =-20~65°C, APC, ATC	-	-	0.5	dB
Monitor Current	I _{mon}	CW, I _f =I _{op} , V _{rd} =5V	0.1	-	3	mA
Dark Current (MPD)	I _d	V _{rd} =5V	-	-	500	nA
Isolation	I _{so}	T _c =0~65°C	25	35	-	dB
Thermistor Resistance	R _{th}	T _{ld} =25°C	9.5	10	10.5	KΩ
TEC Current	I _{TEC}	ΔT=40K	-	-	1	A
TEC Current	V _{TEC}	ΔT=40K	-	-	2	V

PIN assignment: (bottom view)



Package Dimension



Order informationOLDB—3—XX—P—XX

Output Power

04:4mW

06:6mw

30:30mW

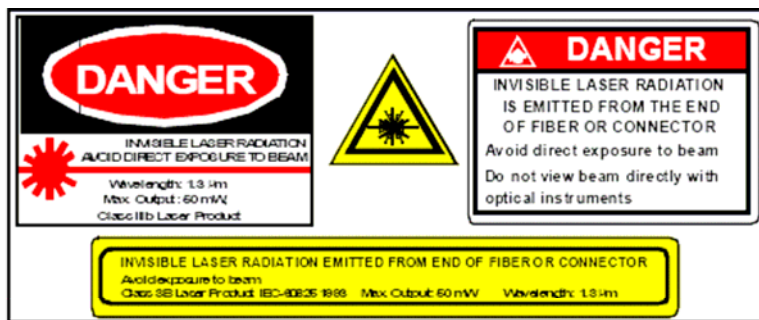
Connector

00:NO

FC:FC

ST: ST

SC:SC



地址：重庆市南坪经济开发区大厦 11 楼

邮政编码：400060

电话：023-62982625

传真：023-62982613

[Http://www.O-Send.com](http://www.O-Send.com)Address:11 floor,Ecnomic Development Zone
Building,Nanping,Chongqing,400060,China

Tel: +86-23-62982625

Fax: +86-23-62982613