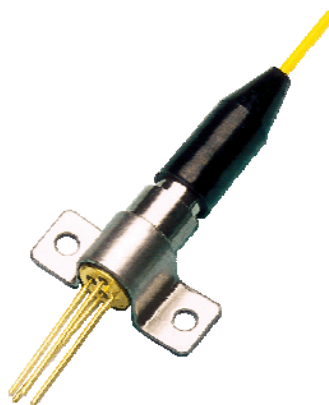


**Features**

- Active diameter 75μm
- Small dark current
- High reliability

**Applications**

- CATV Optical Receive 有线电视射频传输光接收



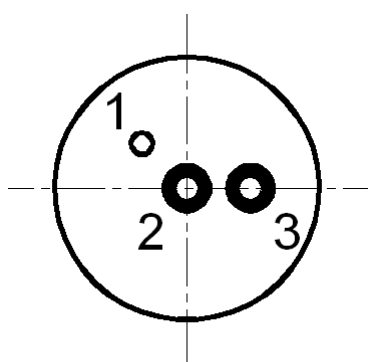
**Absolute maximum ratings**

Parameter	Symbol	Condition	Ratings	Unit
Storage temperature	T <sub>stg</sub>	-	-40~+100	°C
Operating temperature	T <sub>op</sub>	-	-40~+85	°C
Reverse voltage	V <sub>R</sub>	CW	30	V
Soldering time	-	-	10	s
Soldering Temp	-	-	260	°C

**Optical & electrical characteristics**

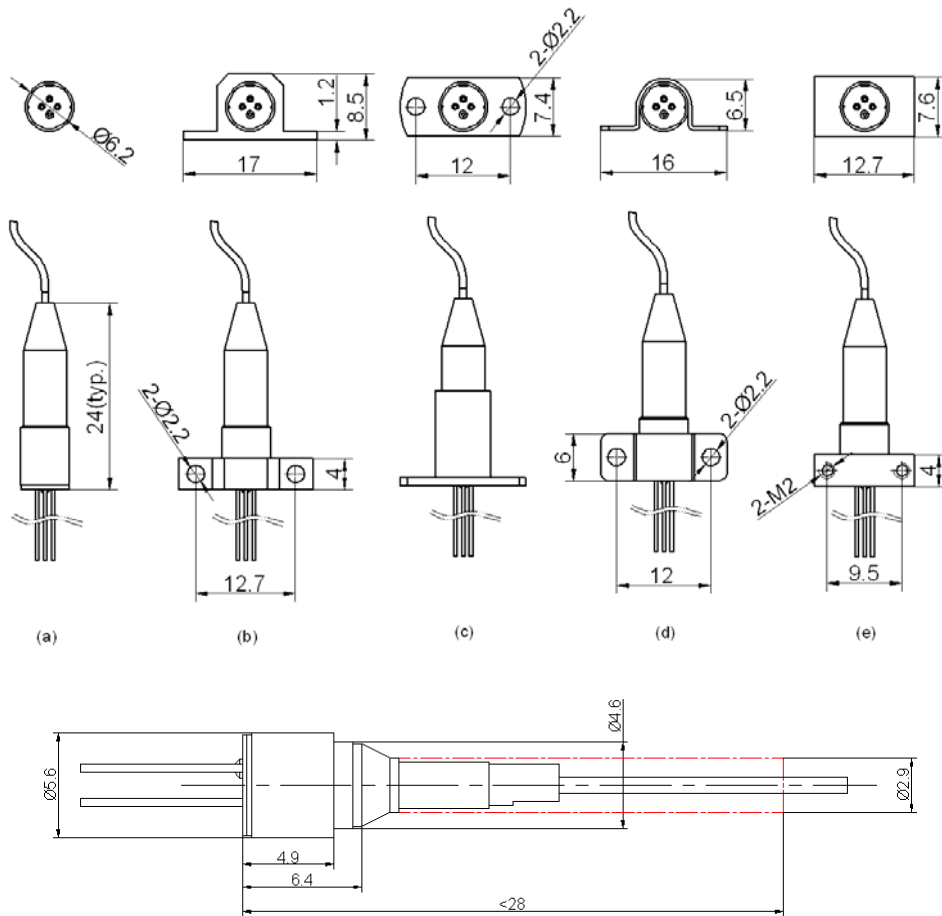
Parameter	Symbol	Min.	Typ.	Max.	Unit	Test condition
Detection range	λ	1100	-	1650	nm	-
Dark current	I <sub>d</sub>	-	0.1	1	nA	V <sub>R</sub> =5V, 25°C
Quantum efficiency	R	0.85	0.88	-	A/W	V <sub>R</sub> =5V, λ=1310 nm
Saturation power	P	10	-	-	dBm	V <sub>R</sub> =5V, 25°C
Rise and Fall time	T <sub>r</sub> /T <sub>f</sub>	-	0.1	-	ns	R <sub>L</sub> =50Ω
Reverse Voltage	V <sub>R</sub>	-	-	15	V	-
Capacitance	C <sub>t</sub>	-	-	0.75	pF	V <sub>R</sub> =5V
Return Loss	RL	-	-	-45	dB	-
CSO		62	-	-	dB	45~860MHz,HP8591C
CTB		68	-	-	dB	45~860MHz,HP8591C
C/N		52	-	-	dB	45~860MHz,HP8591C

**PIN assignment:** ( Bottom view )



pin	function
1(case)	ground
2	PD(+)
3	PD(-)

**Saddle Type**



(f)----光接收模块专用小型化 PIN

**Order information**

OPD-1-X - X - P - XX

Bandwidth	saddle:	Connector
1:5~200MHz	1,a	00:NO
2:45~860 MHz	2,b	FC:FC
3:0~1GHz	3,c	ST:ST
4: >> 1.8GHz	4,d	SC:SC
5: >> 2.5GHz	5,e	
	6,f	

地址：重庆市南坪经济开发区大厦 11 楼

Address:9 floor,Ecnomic Development Zone

邮政编码：400060

Building,Nanping,Chongqing,400060,China

电话：023-62982625

Tel: +86-23-62982625

传真：023-62982613

Fax: +86-23-62982613

[Http://www.O-Send.com](http://www.O-Send.com)