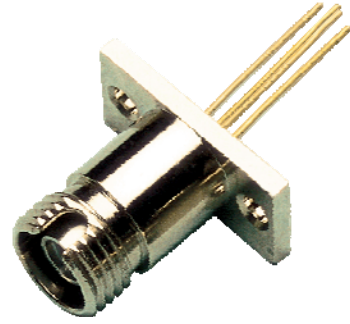


Features

- Active diameter 75 μ m
- Small dark current
- High reliability



Applications

- Wireless GSM/CDMA Fiber-Optical Repeaters GSM/CDMA 光纤直放站模块射频光接收

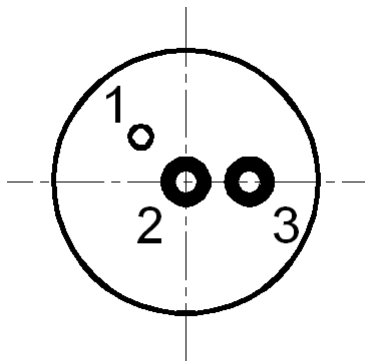
Absolute maximum ratings

Parameter	Symbol	Condition	Ratings	Unit
Storage temperature	T_{stg}	-	-40~+100	$^{\circ}$ C
Operating temperature	T_{op}	-	-40~+85	$^{\circ}$ C
Reverse voltage	V_R	CW	30	V
Soldering time	-	-	10	s
Soldering Temp	-	-	260	$^{\circ}$ C

Optical & electrical characteristics

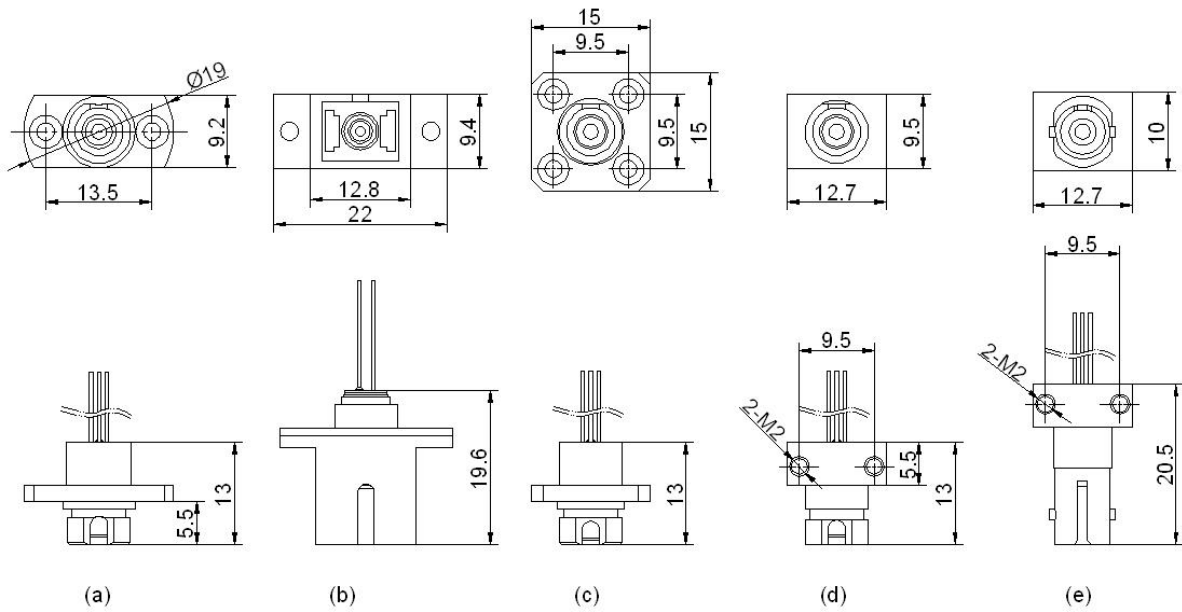
Parameter	Symbol	Min.	Typ.	Max.	Unit	Test condition
Detection range	λ	1100	-	1650	nm	-
Dark current	I_d	-	1	5	nA	$V_R=5V, 25^{\circ}C$
Quantum efficiency	R	0.80	-	-	A/W	$V_R=5V, \lambda=1310\text{ nm}$
Saturation power	P	5	-	-	dBm	$V_R=5V, 25^{\circ}C$
Rise and Fall time	T_r/T_f	-	0.1	-	ns	$R_L=50\Omega$
Reverse Voltage	V_R	-	-	15	V	-
Capacitance	C_t	-	-	0.75	pF	$V_R=5V$
Return Loss	RL	-	-	-45	dB	-
IMD3		65	-	-	dB	45~1000MHz

PIN assignment: (Bottom view)



pin	function
1(case)	ground
2	PD(+)
3	PD(-)

Saddle Type



Order information

OPD-1-X-X-R

- | | |
|--------------|---------|
| | |
| Bandwidth | saddle: |
| 1:5~200MHz | 1,a |
| 2:45~860 MHz | 2,b |
| 3:0~1GHz | 3,c |
| 4: >> 1.8GHz | 4,d |
| 5: >> 2.5GHz | 5,e |

地址：重庆市南坪经济开发区大厦 11 楼

邮政编码：400060

电话：023-62982625

传真：023-62982613

[Http://www.O-Send.com](http://www.O-Send.com)

Address:11 floor,Economic Development Zone

Building,Nanping,Chongqing,400060,China

Tel: +86-23-62982625

Fax: +86-23-62982613