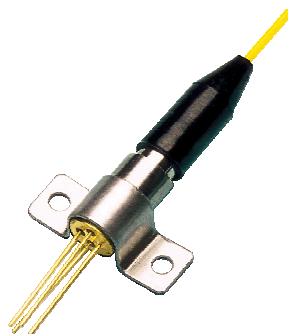


## Features

- MQW 1310nm DFB LD
- Low threshold current
- High output power
- Built-in InGaAsP monitor PD
- Wide temperature range operation  
(Tc=-45 to +85°C)



## Applications

- CATV Reverse Transmission
- Light Source
- Other Analog or Digital Optical Transmission

## Absolute maximum ratings

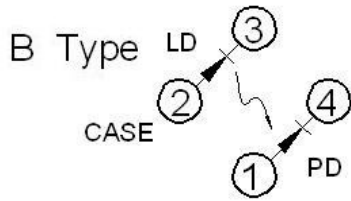
Parameter	Symbol	Min.	Max.	Unit	Test condition
Storage temperature	T <sub>st</sub>	-40	+100	°C	-
Operating temperature	T <sub>op</sub>	-40	+85	°C	-
Reverse voltage	V <sub>R</sub>		2	V	CW
Soldering temperature/time			260/10	°C/S	-

## Optical & electrical characteristics

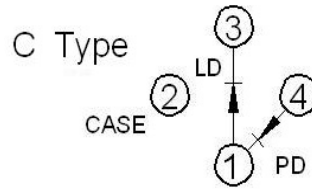
Parameter	Symbol	Min.	Typ.	Max.	Unit	Test condition
Center wavelength	$\lambda_c$	1290	1310	1330	nm	-
Threshold current	I <sub>th</sub>	-	5	15	mA	1310nm, 25°C
Spectral width	$\Delta\lambda$	-	0.5	1	nm	CW, I <sub>th</sub> +20mA
Side mode suppression ratio	SMSR	30	40	-	dB	
Output power	P	-	1.0	8.0	mW	CW, I <sub>th</sub> +20mA
Operating voltage	V <sub>op</sub>	-	1.1	1.5	V	CW, I <sub>th</sub> +20mA
Bandwidth(3dB)	Bw	5	1000	2500	MHz	RI=50Ω
Rise/ Fall time	Tr/Tf	-	0.3	0.7	nS	CW, I <sub>th</sub> +20mA
Monitor current	I <sub>m</sub>	0.1	0.7	-	mA	CW, I <sub>th</sub> +20mA
Optical Isolation	I <sub>so</sub>	30	-	-	dB	25°C

Note: you can choose with isolator or not.

**PIN assignment:** (bottom view)



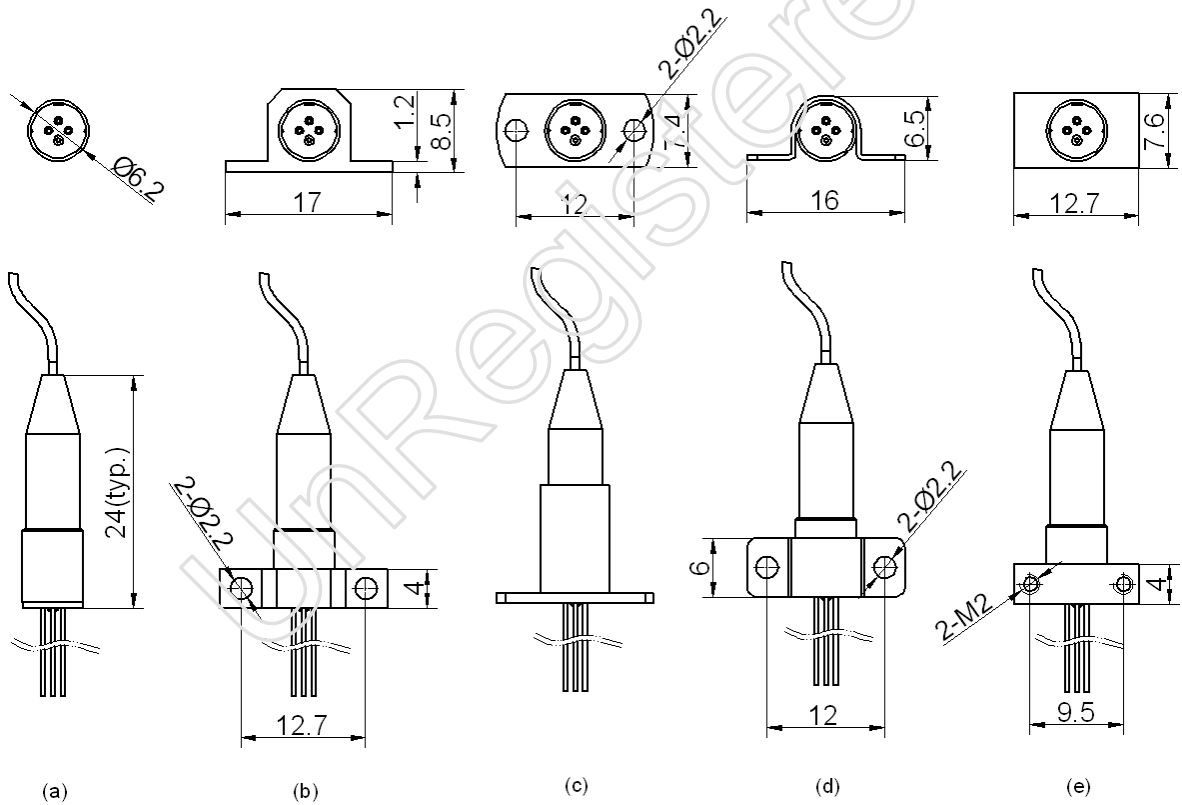
- pin 1: Monitor Diode Anode
- pin 2: Laser Anode and Case Gnd
- pin 3: Laser Cathode
- pin 4: Monitor Diode Cathode



- pin 1: Laser Anode/Monitor Diode Cathode
- pin 2: Case Gnd
- pin 3: Laser Cathode
- pin 4: Monitor Diode Anode

**Saddle Type:**

**A:Pigtail**



**Order information**

OLD	-	3	-	<u>X</u>	-	<u>X</u>	-	2	-	<u>X</u>	-	P	-	<u>X</u>	<u>X</u>	-	<u>X</u>
				Isolator						Saddle				Connector			
				0:NO						O:O				00:NO			
				1:Single						1:A				FC:FC			
				2:Double						2:B				ST: ST			
										3:C				SC:SC			
				Output Power						4:D							Pin: Assinment
				1:0.3-0.5mW						5:E							1:B
				2:0.5-1.5mW													2:C
				3:1.5-2.0mW													
				4:2.0-4.0 mW													
				5:4.0-6.0 mW													
				6:6.0-8.0 mW													

UnRegistered



地址：重庆市南坪经济开发区大厦 11 楼

邮政编码：400060

电话：023-62982625

传真：023-62982613

[Http://www.O-Send.com](http://www.O-Send.com)

Address:11floor,Ecnomic Development Zone

Building,Nanping,Chongqing,400060,China

Tel: +86-23-62982625

Fax: +86-23-62982613

*Better products, better O-Send!*