

Features

- Small dark current
- High reliability
- High Accuracy



Applications

- Power Meter 光功率测量

Absolute maximum ratings

Parameter	Symbol	Condition	Rated	Unit
Storage temperature	T _{stg}	—	-40~+100	°C
Operating temperature	T _{op}	—	-40~+85	°C
Reverse voltage	V _R	CW	30	V
Soldering time	—	—	10	s
Soldering Temp	—	—	260	°C

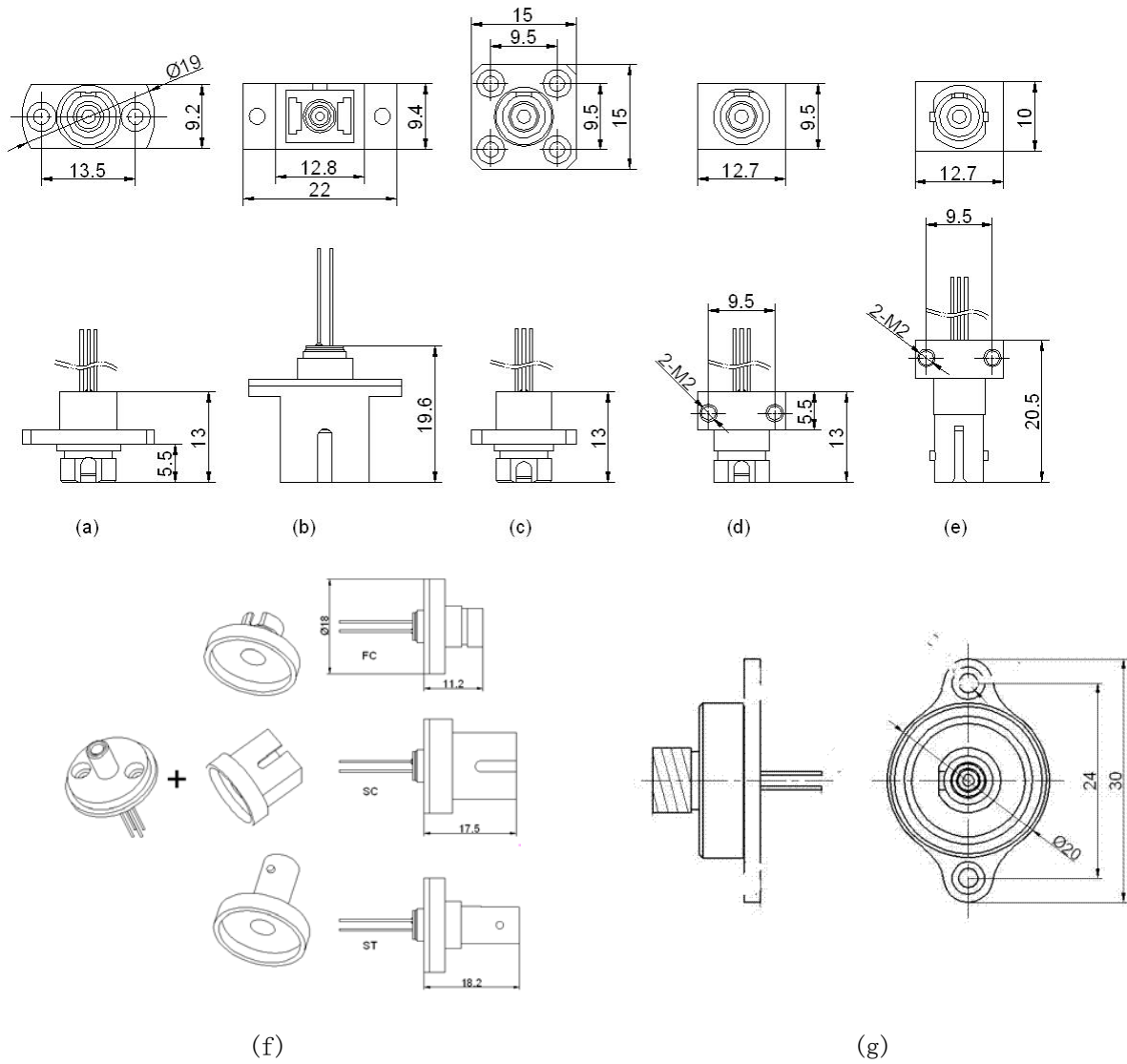
Optical & electrical characteristics

Parameter	Symbol	Min.	Typ.	Max.	Unit	Remark	Test Condition
Wavelength Range	λ	850	—	1700	nm		—
Power Range	P	-70	—	6	dBm	*	V _r =5V, R _i =50Ω
		-60	—	16	dBm	**	
		-50	—	26	dBm	***	
		-40	—	36	dBm	****	
Dark Current	I _d	—	0.1	1	nA	Φ300um	V _r =5V
		—	—	3	nA	Φ500um	V _r =5V
		—	—	0.5	nA	Φ1000um	V _r =0V
Responsivity	R	—	0.85	—	A/W	*	V _r =5V, λ=1310 nm
		—	0.083	—	A/W	**	
		—	0.012	—	A/W	***	
		—	0.001	—	A/W	****	
Accuracy		—	—	±0.25	dB		@25°C
Capacitance	C _t	—	—	5	pF	Φ300um	V _r =5V, f=1MHz
		—	—	13	pF	Φ500um	
		—	—	25	pF	Φ1000um	
Response Time	T _r	—	—	1	ns	Φ300um	V _r =5V, 10~90%
		—	—	5	ns	Φ500um	
		—	—	20	ns	Φ1000um	

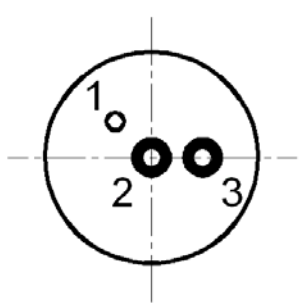
* : ODE-12xx; * * : ODE-13xx;

* * * : ODE - 14xx; * * * * : ODE - 15xx

Saddle Type:



PIN assignment:



Bottom view

pin	function
1(case)	ground
2	PD(-)
3	PD(+)

Order information

ODE— <u>X</u> —	<u>X</u> —	<u>X</u> —	<u>X</u>
Wavelength Range	Input Power	Detect Diameter	Saddle Type
1:0.85~1.7um	2:-70~+6dBm	1:300um	1,a
	3:-60~+16dBm	2:500um	2,b
	4:-50~+24dBm	3:1000um	3,c
	5:-40~+34dBm	4:1500um	4,d
		5:2000um	5,e
			6,f
			7,g

地址：重庆市南坪经济开发区大厦 9 楼

邮政编码：400060

电话：023-62982625

传真：023-62982613

[Http://www.O-Send.com](http://www.O-Send.com)

Address:9 floor,Ecnomic Development Zone

Building,Nanping,Chongqing,400060,China

Tel:+86-23-62982625

Fax:+86-23-62982613