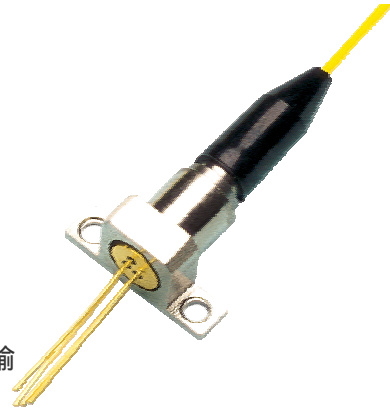


Features

- VCSEL
- Low Threshold & Operating Current
- High Bandwidth
- High Reliability

Applications

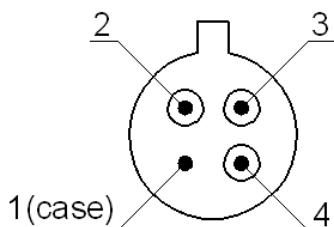
- Video,Audio,Data Transmission 视、音频数据传输
- Light Source 光源

**Absolute maximum ratings**

Parameter	Symbol	Min.	Max.	Unit
Forward Current	I _f	-	12	mA
Reverse Voltage	V _r	-	5	V
Operating Temperature	T _{op}	0	85	°C
Storage Temperature	T _{stg}	-40	85	°C
Soldering Temperature, Time	-	-	260 , 10S	,S

Optical & electrical characteristics

Parameter	Symbol	Min.	Typ.	Max.	Unit	Test Condition
Center Wavelength	λ _c	830	845	860	nm	10mA
Output Power	P _o	-	1	-	mW	10mA,CW
Threshold Current	I _{th}	-	3.5	6.0	mA	-
I _{th} Temperature Variation	I _{th}	-1.5	-	1.5	mA	0~85
Forward Voltage	V _f	-	2.0	2.2	V	10mA
Differential Resistance	R _f	-	35	50	Ω	10mA
Rise /Fall Time	tr/tf	-	0.12	-	ns	20~80%

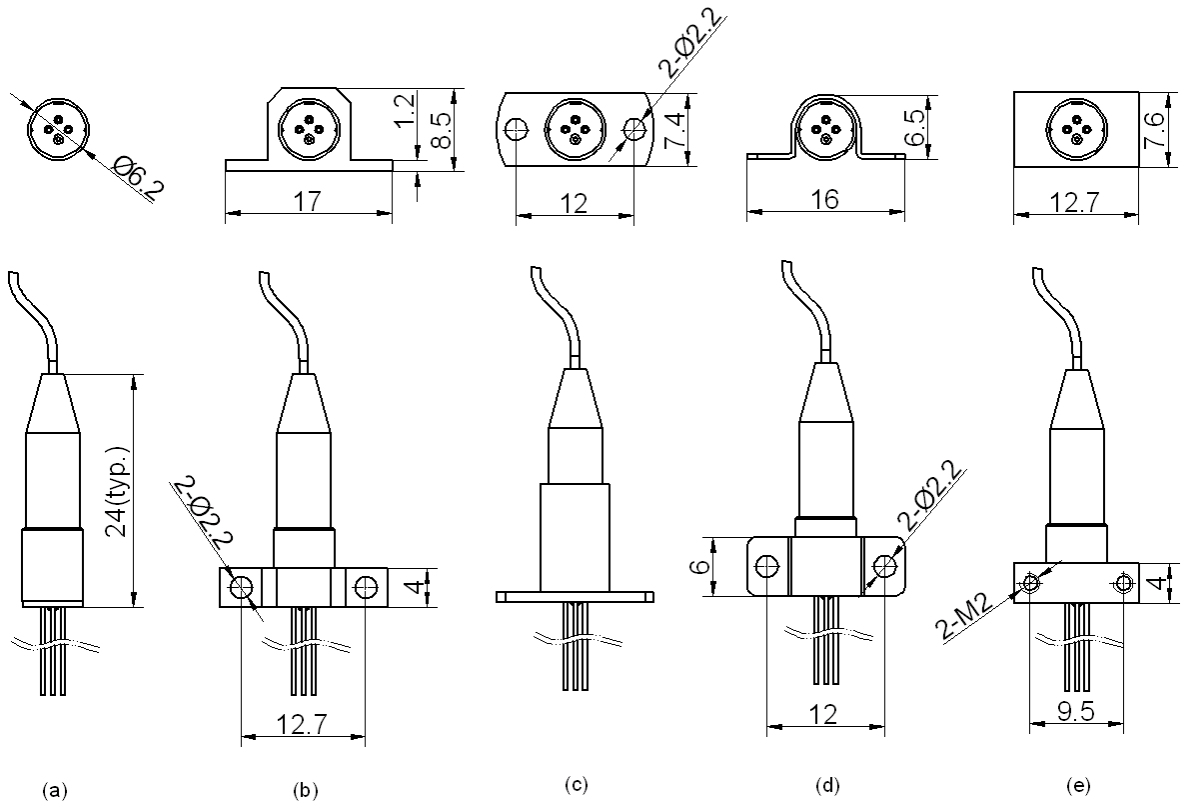
PIN assignment:

Pin	Function
1	Gnd LD(-)
2	LD(+)
3	-
4	-

B type

Pin	Function
1	GND
2	-
3	LD(-)
4	LD(+)

Saddle Type



(a)

(b)

(c)

(d)

(e)

Order information

OLD - 8 - 3 - 0 - X - X - X - P - XX - X

Output Power
1:0.3-0.5mW
2:0.5-1.5mW
3:1.5-2mW

Data Rate
3:1.25G
4:2.5G

Saddle
0:NO
1:A
2:B
3:C
4:D
5:E

Connector
00:NO
FC:FC
ST:ST
SC:SC

PIN assignment
1,A
2,B

地址：重庆市南坪经济开发区大厦 9 楼

邮政编码：400060

电话：023-62982625

传真：023-62982613

[Http://www.O-Send.com](http://www.O-Send.com)

Address:9 floor,Economic Development Zone Building,

Nanping,Chongqing,400060,China

Tel: +86-23-62982625

Fax: +86-23-62982613

Better products,better O-Send!